



Red: PAINTED ITEMS
Blue: KITS

1. All labeled components are to be assembled before shipment unless otherwise noted.
2. All bearings are to be pressed in with force applied to outer ring only.
3. All hardware to be torqued to specs listed in chart below.
4. Special notes if any are shown below.

Customer Service & Parts 800/ 235-2233
General Parts Requests: parts@medfitsys.com
Warranty Field Service Requests: servicerequest@medfitsys.com
Med-Fit Systems, Inc. 800/ 831-7665

www.medfitsystems.com

Number	QTY.	DESCRIPTION	Number	QTY.	DESCRIPTION
01-0011	5	1/2 -13 UNC x 3 Bolt	08-2056	1	MOLDED SHAFT SPACER
01-1105	2	3/8 -16 UNC x 1 1/2 Bolt	08-5067	1	SLEEVE
01-1151	2	3/8 -16 UNC x 2 1/4 Bolt	09-1004	1	.500 ID X 3" CLOSED END
01-1490	2	5/8-11 UNC x 2 Bolt	09-1023	2	HAND GRIP OPEN ENDS
01-1553	3	3/8 -16 UNC x 4 1/2 Bolt	09-2060	2	1 1/2 X 3 11 GA FRAME PLUG
01-1564	3	1/2 -13 UNC x 4 1/2 Bolt	09-2070	1	2 X 2 11 GA FRAME PLUG
01-1565	3	1/2 -13 UNC x 5 Bolt	09-3055	3	2 X 4 11 GA FRAME PLUG
01-2190	2	5/8-11 UNC x 3 Bolt	09-3078	4	BLACK HOLE PLUG MP-1093
01-4035	6	1/4 -20 UNC x 1 1/4 Wiz Lock Bolt	09-4004	2	MOLDED UPH. ROLLER END CAP
01-4038	1	BOLT BH , 1/2 -13 x 2 1/2"	09-4077	2	BEARING 1 1/2 SQ X 3/4 ID
01 4045	4	BOLT BH ,1/2 13 x 4"	09-5030	2	FOOTPAD MOLDED BLACK
02-1060	2	BOLT BH , 1/4 -20 x 2 1/4"	09-5046	4	Nitro Plus Footpad
02-2290	2	SCREW AFH 1/4 -20 UNC x 1 1/4"	09-8000	1	Belt Keeper
02-3055	8	SCREW, SET, 1/4 -28 UNF x 1/4"	09-8018	2	GUIDE ROD BUSHING
02-9250	1	3/8 -16 UNC x 2 1/4 Bolt	09-8172	2	1 3/4 DIA HOLE PLUG
03-1035	5	3/8" Lock Nut	09-8329	1	WIDE PULLEY 3" DIA
03-1055	11	1/2" Nylon Insert Lock Nut-Thin	09-8330	1	REDIRECTIONAL PULLEY 4"
03-1067	2	5/8" Lock Nut	09-9395	2	LatP MA Stop
03-2020	4	1/4" Lock Nut	09-9505	2	GRIP CAP 1.030 ID (FOR 1" BAR)
03-4290	2	1/4" Whiz Nut	09-9535	2	GRIP RING 1.045 ID (FOR 1" BAR)
03-5103	1	3/8" Hex Nul	09-9555	2	GRIP RING 1.785 ID (FOR 1 3/4" BAR)
03-5119	2	5/8" RH Fine Thread Jam Nut	09-9590	2	TUBE INSERT .760 ID PN3043-4-1
03-9075	4	1/2" Thin Black Top Lock Hex Nut	10-1022	1	Extension Spring
04-5070	6	RUBBER WEIGHT STACK BUMPER	10-1025	1	SPRING, TORSION
04-5206	8	WASHER, FLAT, 3/8" SAE	12-1001	1	SEAT INDICATOR BLACK
04-5207	9	WASHER, FLAT, 1/2" SAE	12-1026	3	DECAL, KEEP HANDS AWAY
04-5208	2	WASHER, FLAT, 5/8" SAE	12-1104	1	SEAT ADJUSTMENT DECAL 1-11
04-5214	2	1/2" Internal Loc Washer	12-1146	1	SEAT ADJ DECAL 1
04-5225	2	1/4" Internal Loc Washer	12-1194	1	THIGH PAD ADJUSTMENT DECAL
05-5105	2	IGUS FLANGE .5 ID x .5938 OD x .75L	12-1380	1	DECAL PATENT MEDFIT MADE IN USA
06-8180	1	Snap Ring, 1/2" External	12-5611	1	Nautilus Transfer Decal - Large BLACK
06-8263	2	Snap Ring, Internal, 1 9/16"	12-6046	1	Made In USA - Seat Frames
06-8275	6	Snap Ring, 17mm Heavy External	12-6051	1	PLACARD & SHIELD FRONT S9LATP
06-8285	2	1 3/4 Inv. Ext. Snap RinG	12-6074	1	PLACARD & SHELD BACK S9IP, S9LATP, S9LR, S9OP, S9PF
06-9035	2	ROD END 5/8-18 RH THREADS	12-6106	1	Decal, Parts Diagram EVO LATP
07-4124	1	Plunger Assembly Length 4"	12-7050	1	EVO Weight Selector Pin Decal
07-5032	1	SEAT TRACK	17-1420	2	GUIDE ROD 55 1/2"
07-5033	1	SEAT TRACK BACK	18-0013 (88")	1	MECTROL BELT 1" (88")
07-5034	3	SEAT ROLLERS	19-1013	4	TAPE DBL SIDED 2 3/4" WIDE
07-5064	10	6203 RADIAL BEARING	19-1291	1	SERIAL NO. DECAL
07-8025	1	CLEVIS PIN, 5/16" X 1 1/2"	19-1342	4	ROUND CR 2" DIA 1018-1020
07-8135	1	5/16" RUE RING COTTER - RUE-10	19-1575	2	BEARING - PILLOW BLOCK 1"
07-8230	1	STANDARD SEAT CLEVIS PIN	56-0217	2	Clamp Bell ONE
07-8359	2	PULLEY BUSHING	57-0611	1	Pocket, Peel & Stick, Cardio Schematic
07-8363	2	PULLEY BUSHING	91-999	1	Paint (1.5 lbs)
07-8684	1	DOUBLE LOCK SEAT	95-0476	1	Kit 7, EVO Shields
07-8982	2	STRAP CLAMP END (5/16 HOLES)	BF609B	1	LATP BACK FRAME
07-9376	3	SEAT ROLLER SLEEVE	HB326	1	P3SD ROLLER PAD MOUNT
07-9424	2	Nitro LatPulldown Draglinks	HB603	2	HANDLEBAR
07-9618	2	HEIM JOINT SPACER (ZINC PLATE)	LK631	1	BELT CLAMP
07-9849	2	MOLDED BEARING CAP, Ti SERIES	MA624	1	Nitro LatPulldown CAM
07-9850	4	1" BEARING MOLDED FLANGE	MA631	1	Lat Belt Attachment
07-9873	2	MOLDED BEARING CAP WITH HOLE	MA653L	1	EVO Lat Pulldown Movement Arm LEFT
07-9888	2	COUNTERWEIGHT MOVEMENT ARM	MA653R	1	EVO Lat Pulldown Movement Arm RIGHT
07-9916	2	Pillow Block Bearing Cover	OPT-WT-25	1	EVO 240 LB Weight Stack
07-9941	4	COUNTERWEIGHT	SE612	1	LAT PULL SEAT RELEASE HANDLE
			UP8080	1	TAPERED SEAT PAD
			UP9955	2	UPHOLSTERY ROLLER



**EVO Lat Pulldown
S9LATP**

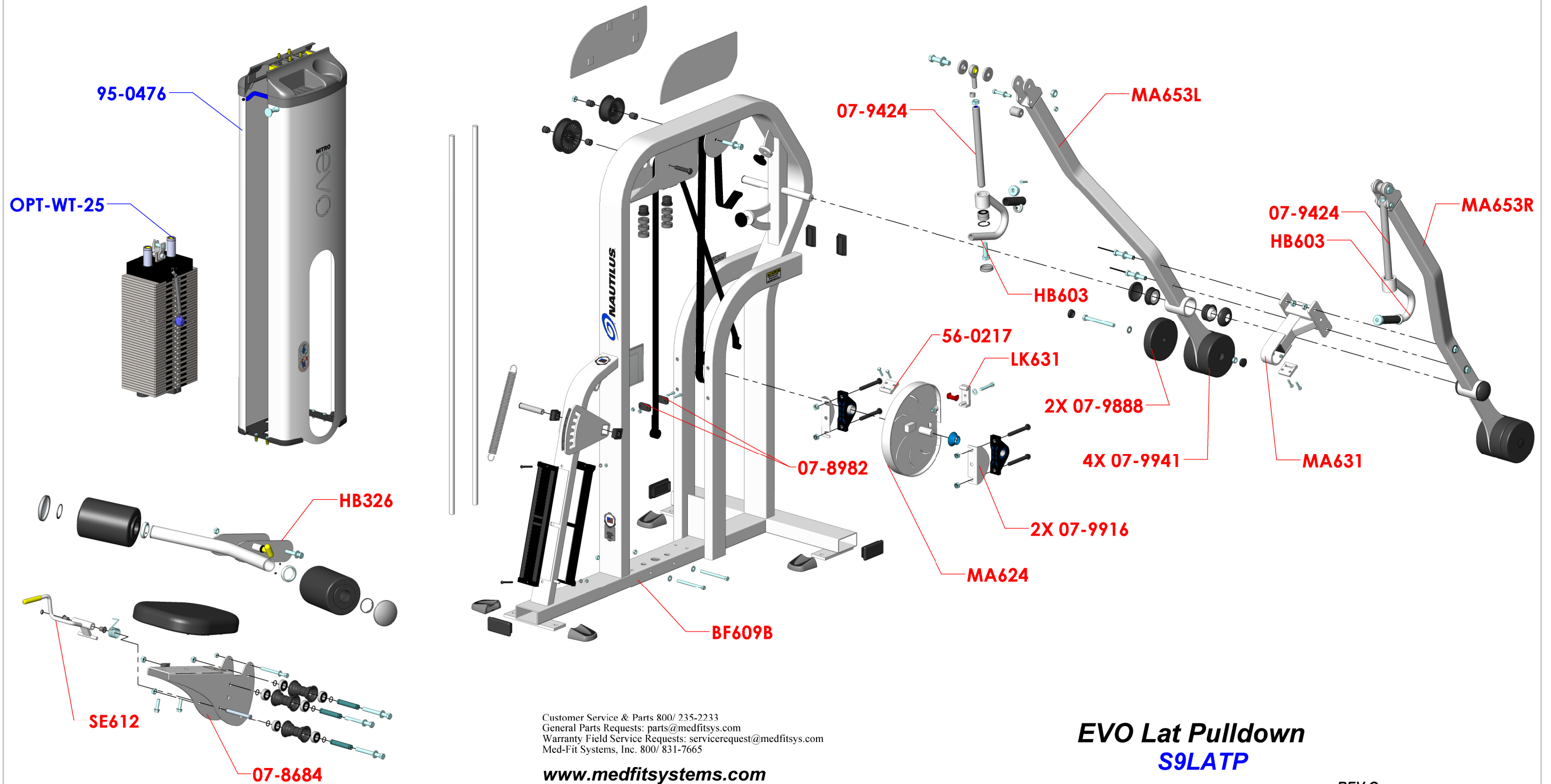
REV Q

Bolt Torque Specifications		
Size	Grade 5	Grade 8
	Torque (ft-lbs)	Torque (ft-lbs)
1/4-20	8	12
1/4-28	10	14
5/16-18	17	25
3/8-16	30	45
7/16-14	50	70
1/2-13	75	110
1/2-20	90	120
5/8-11	150	220
5/8-18	180	240



Red: PAINTED ITEMS
Blue: KITS

1. All labeled components are to be assembled before shipment unless otherwise noted.
2. All bearings are to be pressed in with force applied to outer ring only.
3. All hardware to be torqued to specs listed in chart below.
4. Special notes if any are shown below.



Customer Service & Parts 800/ 235-2233
 General Parts Requests: parts@medfitsys.com
 Warranty Field Service Requests: servicerequest@medfitsys.com
 Med-Fit Systems, Inc. 800/ 831-7665

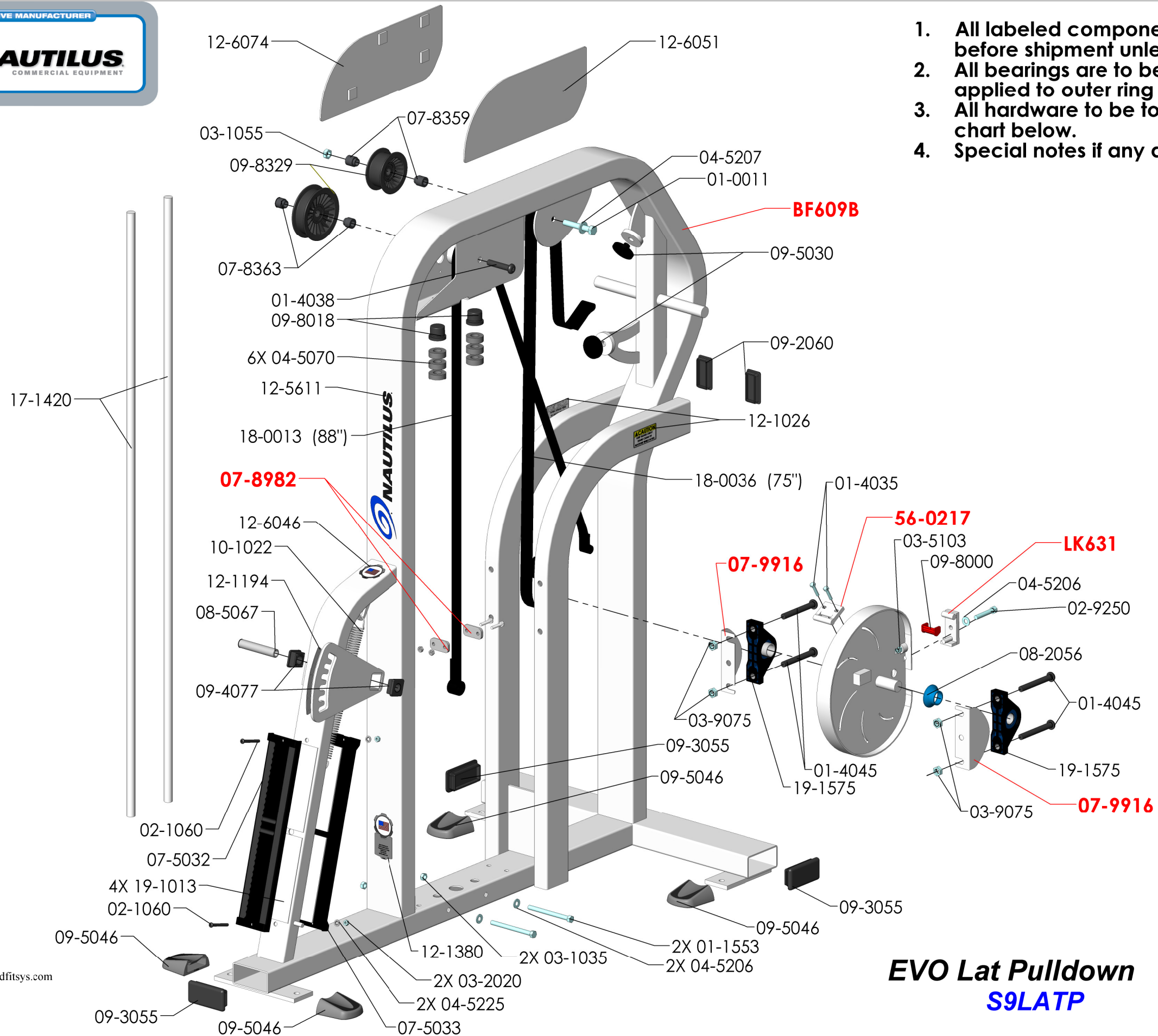
www.medfitsystems.com

EVO Lat Pulldown
S9LATP

REV Q



Red: PAINTED ITEMS
Blue: KITS



1. All labeled components are to be assembled before shipment unless otherwise noted.
2. All bearings are to be pressed in with force applied to outer ring only.
3. All hardware to be torqued to specs listed in chart below.
4. Special notes if any are shown below.

Customer Service & Parts 800/ 235-2233
 General Parts Requests: parts@medfitsys.com
 Warranty Field Service Requests: servicerequest@medfitsys.com
 Med-Fit Systems, Inc. 800/ 831-7665

www.medfitsystems.com

EVO Lat Pulldown
S9LATP

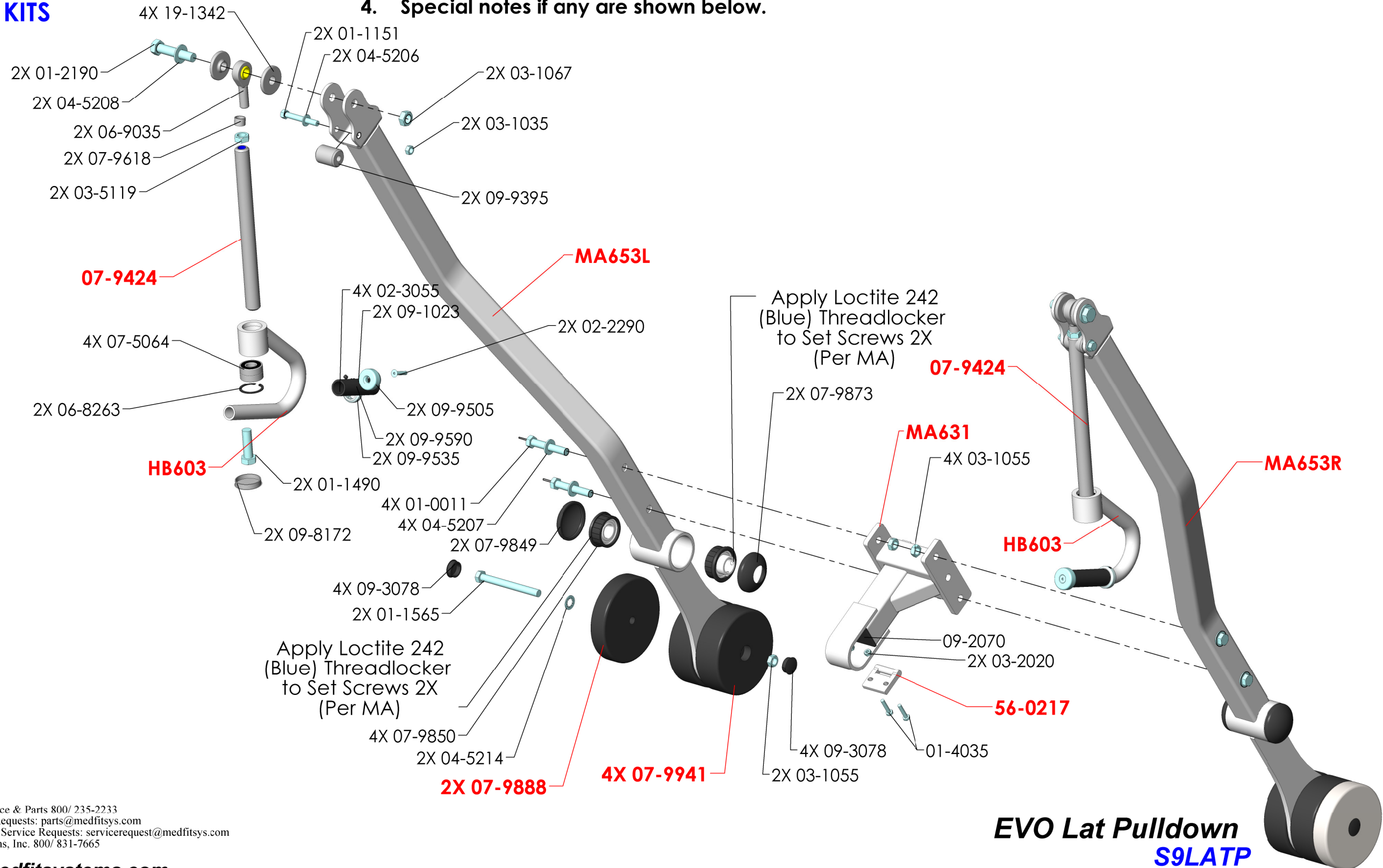
REV Q



1. All labeled components are to be assembled before shipment unless otherwise noted.
2. All bearings are to be pressed in with force applied to outer ring only.
3. All hardware to be torqued to specs listed in chart below.
4. Special notes if any are shown below.

Red: PAINTED ITEMS

Blue: KITS



Bolt Torque Specifications		
Size	Grade 5	Grade 8
	Torque (ft-lbs)	Torque (ft-lbs)
1/4-20	8	12
1/4-28	10	14
5/16-18	17	25
3/8-16	30	45
7/16-14	50	70
1/2-13	75	110
1/2-20	90	120
5/8-11	150	220
5/8-18	180	240

Customer Service & Parts 800/ 235-2233
 General Parts Requests: parts@medfitsys.com
 Warranty Field Service Requests: servicerequest@medfitsys.com
 Med-Fit Systems, Inc. 800/ 831-7665

www.medfitsystems.com

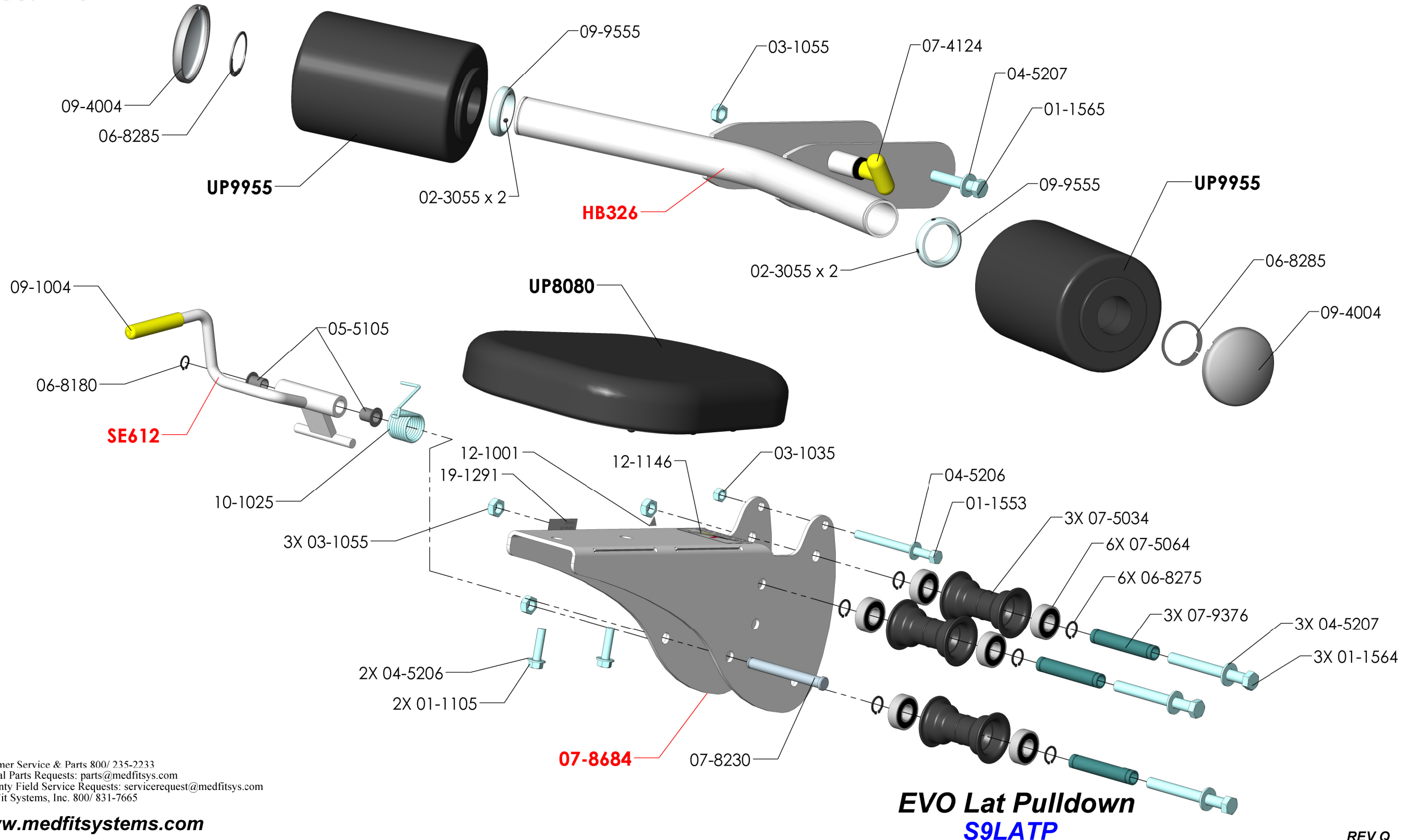
**EVO Lat Pulldown
S9LATP**

REV Q



Red: PAINTED ITEMS
Blue: KITS

1. All labeled components are to be assembled before shipment unless otherwise noted.
2. All bearings are to be pressed in with force applied to outer ring only.
3. All hardware to be torqued to specs listed in chart below.
4. Special notes if any are shown below.



Customer Service & Parts 800/ 235-2233
 General Parts Requests: parts@medfitsys.com
 Warranty Field Service Requests: servicerequest@medfitsys.com
 Med-Fit Systems, Inc. 800/ 831-7665

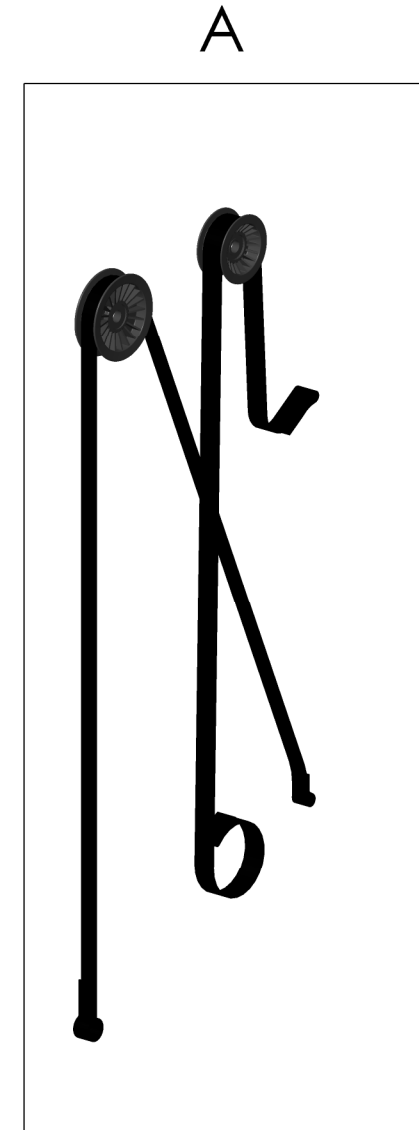
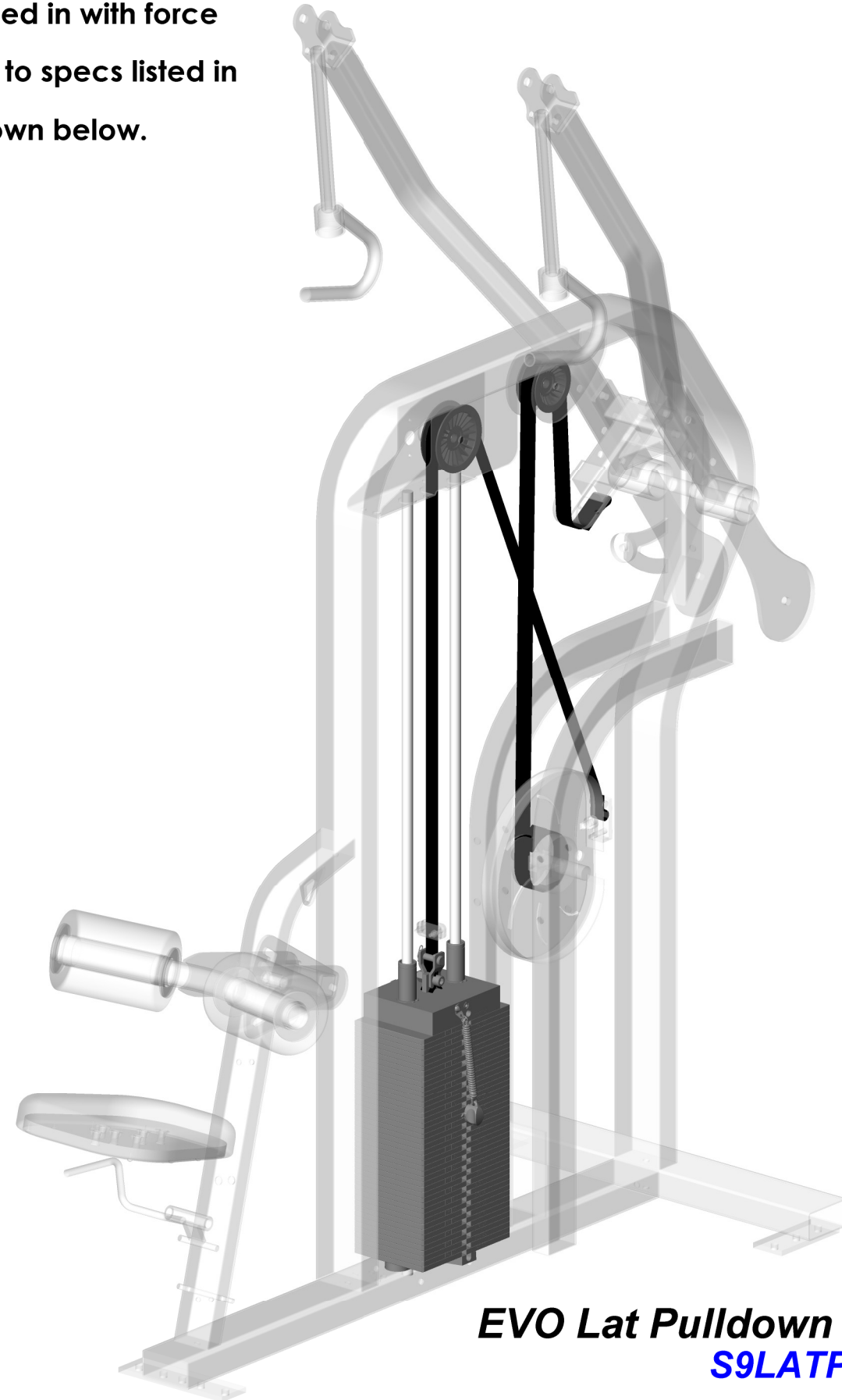
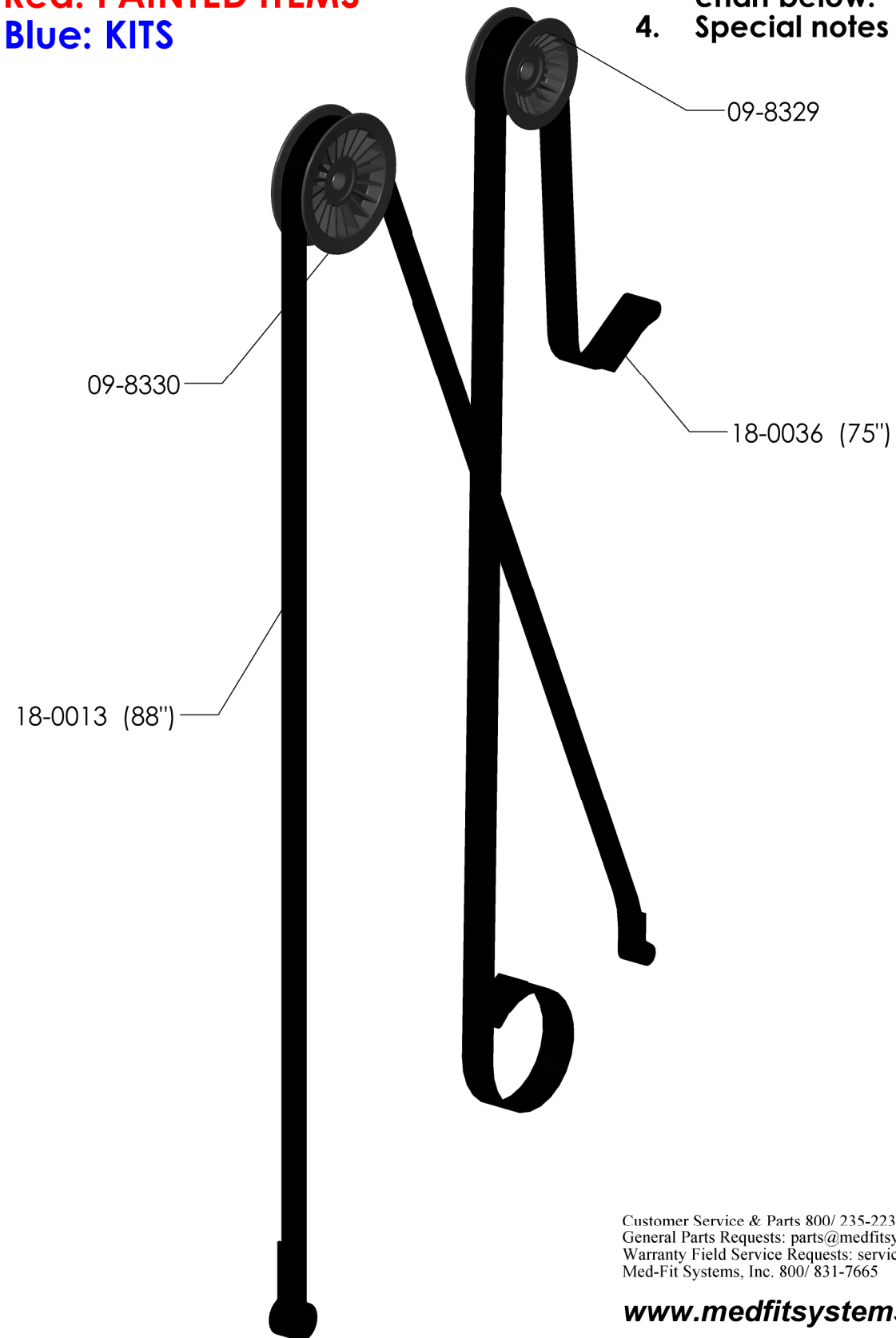
www.medfitsystems.com

REV Q



Red: PAINTED ITEMS
Blue: KITS

1. All labeled components are to be assembled before shipment unless otherwise noted.
2. All bearings are to be pressed in with force applied to outer ring only.
3. All hardware to be torqued to specs listed in chart below.
4. Special notes if any are shown below.



Customer Service & Parts 800/ 235-2233
General Parts Requests: parts@medfitsys.com
Warranty Field Service Requests: servicerequest@medfitsys.com
Med-Fit Systems, Inc. 800/ 831-7665

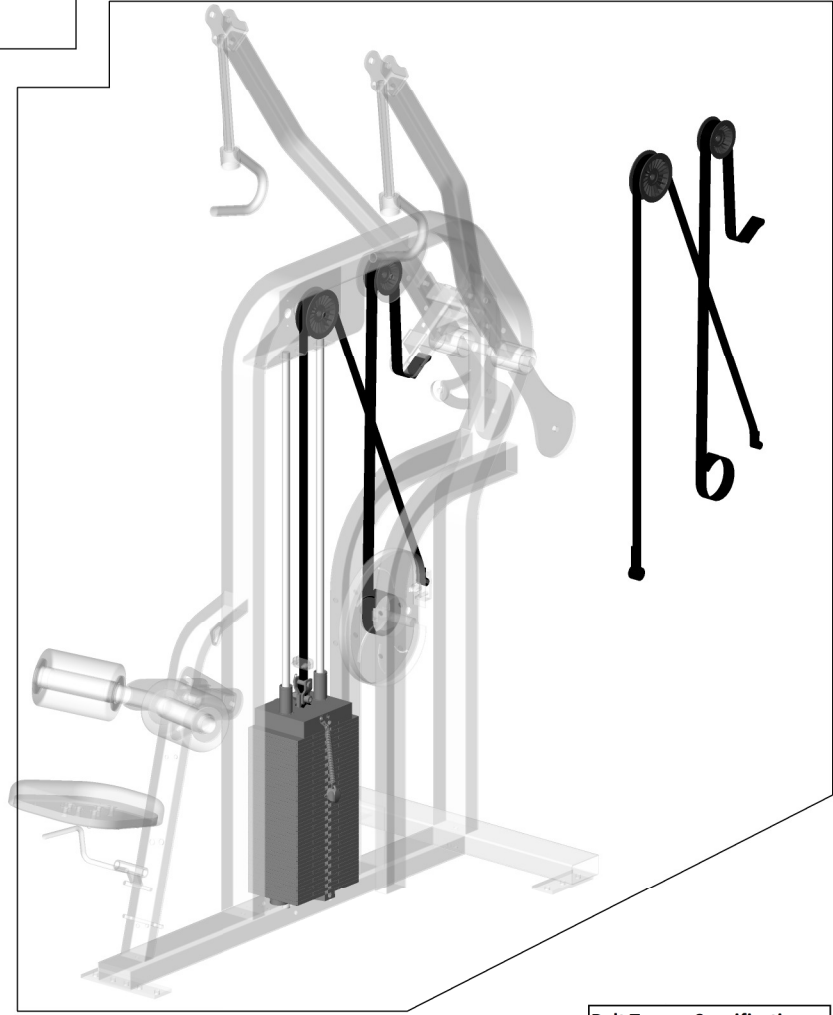
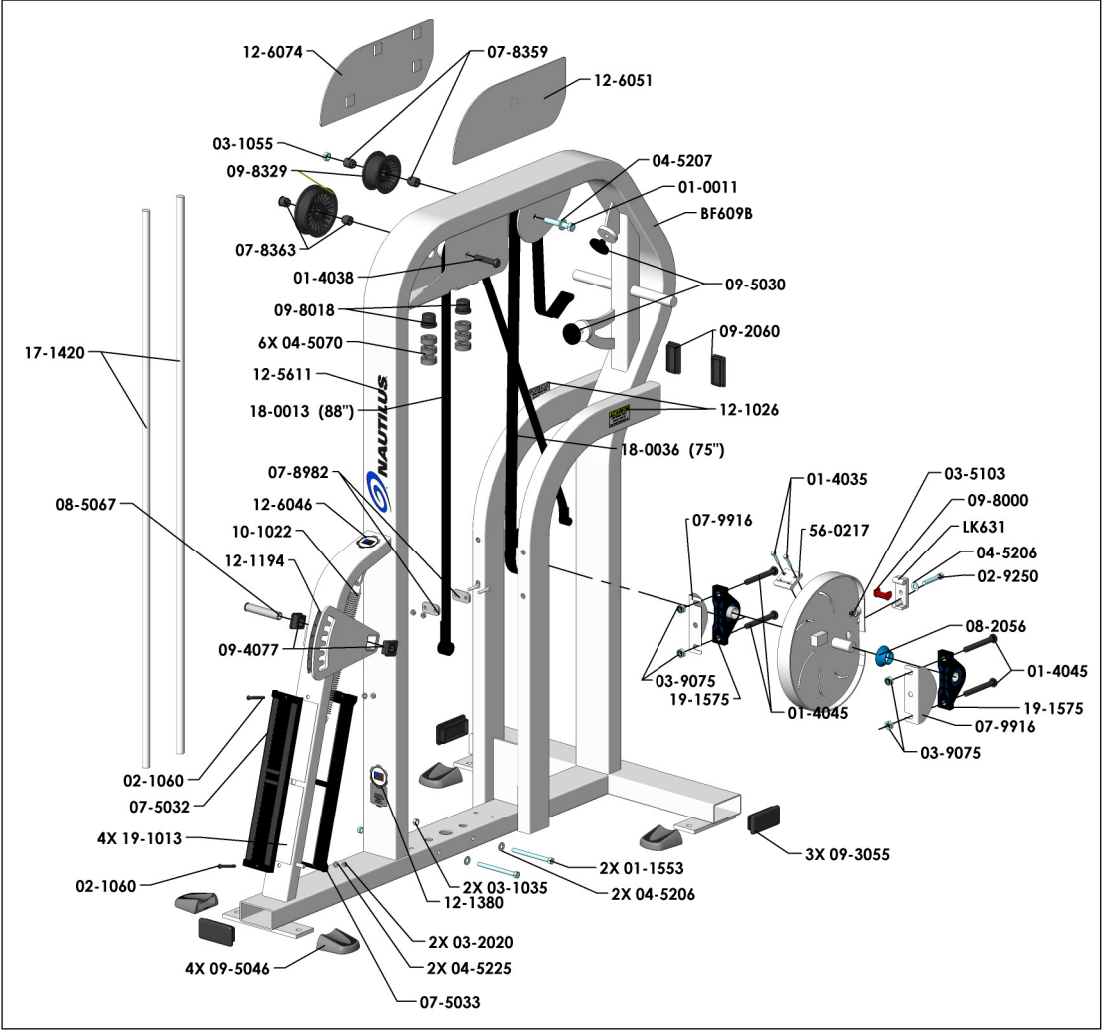
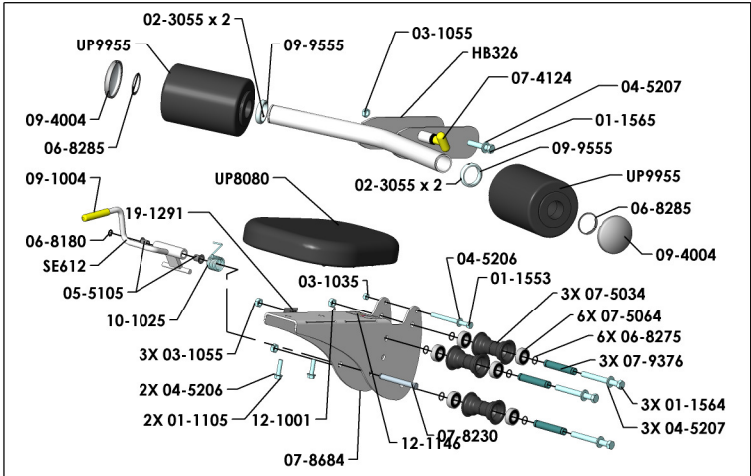
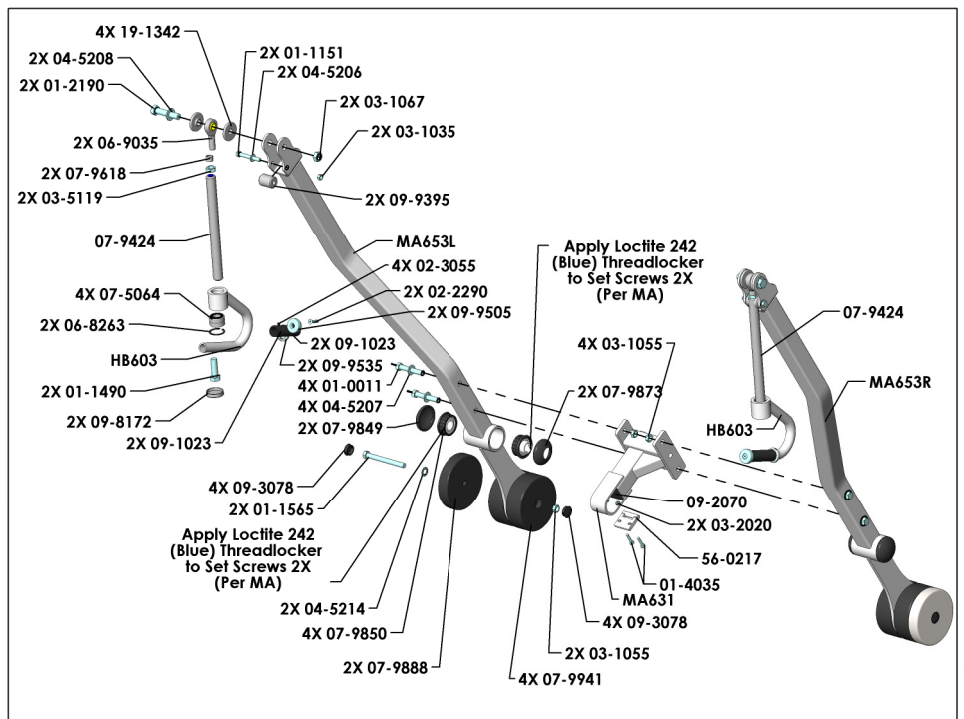
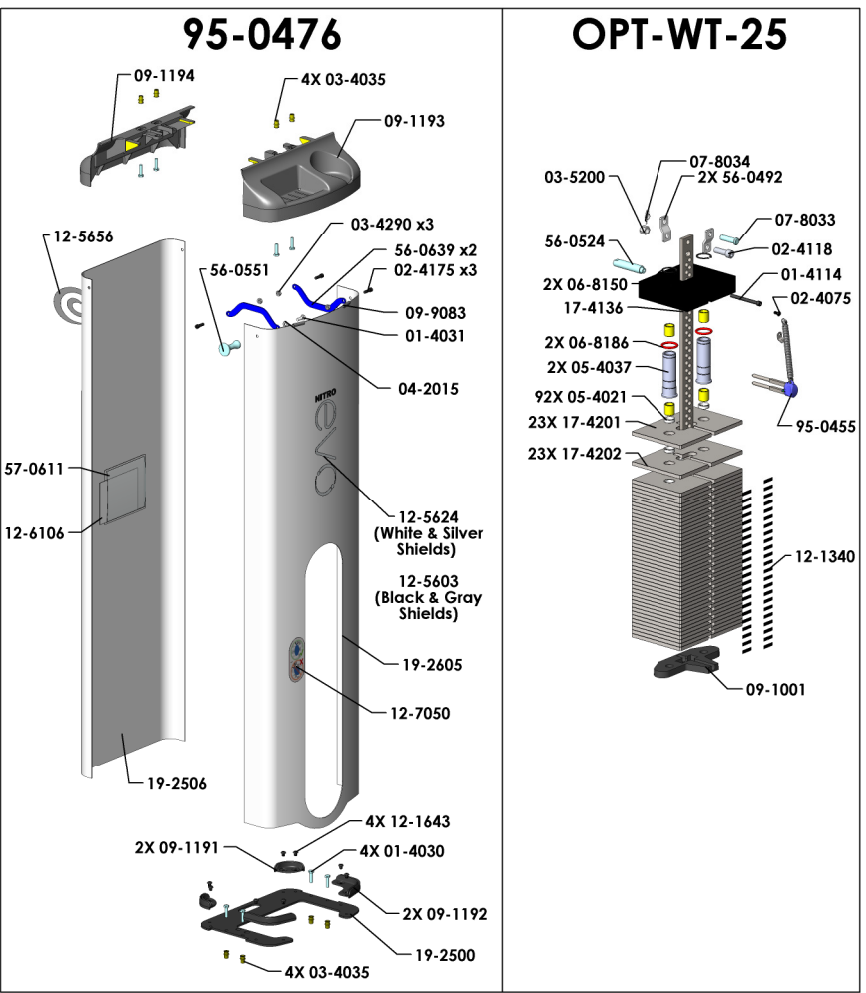
www.medfitsystems.com

EVO Lat Pulldown
S9LATP

REV Q



PART #	S9LATP / QTY.	DESCRIPTION
01-0011	5	1/2 -13 UNC x 3 Bolt
01-1105	2	3/8 -16 UNC x 1 1/2 Bolt
01-1151	2	3/8 -16 UNC x 2 1/2 Bolt
01-1490	2	5/8-11 UNC x 2 Bolt
01-1553	3	3/8 -16 UNC x 4 1/2 Bolt
01-1564	3	1/2 -13 UNC x 4 1/2 Bolt
01-1565	3	1/2 -13 UNC x 5 Bolt
01-2190	2	5/8-11 UNC x 3 Bolt
01-4035	6	1/4 -20 UNC x 1 1/4 Wiz Lock Bolt
01-4038	1	BOLT BH, 1/2 -13 x 2 1/2"
01-4045	4	BOLT BH, 1/2 -13 x 4"
02-1060	2	BOLT BH, 1/4 -20 x 2 1/4"
02-2290	2	SCREW AFH, 1/4 -20 UNC x 1 1/4"
02-3055	8	SCREW, SET, 1/4 -28 UNF x 1/4"
02-9250	1	3/8 -16 UNC x 2 1/2 Bolt
03-1035	5	3/8" Lock Nut
03-1055	11	1/2" Nylon Insert Lock Nut-Thin
03-1067	2	5/8" Lock Nut
03-2020	4	1/4" Lock Nut
03-4290	2	1/4" Whiz Nut
03-5103	1	3/8" Hex Nut
03-5119	2	5/8" RH Fine Thread Jam Nut
03-9075	4	1/2" Thin Black Top Lock Hex Nut
04-5070	6	RUBBER WEIGHT STACK BUMPER
04-5206	8	WASHER, FLAT, 3/8" SAE
04-5207	9	WASHER, FLAT, 1/2" SAE
04-5208	2	WASHER, FLAT, 5/8" SAE
04-5214	2	1/2" Internal Loc Washer
04-5225	2	1/4" Internal Loc Washer
05-5105	2	IGUS FLANGE, 5 ID x .5938 OD x .75L
06-8180	1	Snap Ring, 1/2" External
06-8263	2	Snap Ring, Internal, 1 9/16"
06-8275	6	Snap Ring, 17mm Heavy External
06-8285	2	1 3/4 Inv. Ext. Snap Ring
06-9035	2	ROD END 5/8-18 RH THREADS
07-4124	1	Plunger Assembly Length 4"
07-5032	1	SEAT TRACK
07-5033	1	SEAT TRACK BACK
07-5034	3	SEAT ROLLERS
07-5064	10	6203 RADIAL BEARING
07-8025	1	CLEVIS PIN, 5/16" X 1 1/2"
07-8135	1	5/16" RUE RING COTTER - RUE-10
07-8230	1	STANDARD SEAT CLEVIS PIN
07-8359	2	PULLEY BUSHING
07-8363	2	PULLEY BUSHING
07-8684	1	DOUBLE LOCK SEAT
07-8982	2	STRAP CLAMP END (5/16 HOLES)
07-9376	3	SEAT ROLLER SLEEVE
07-9424	2	Nitro LatPulldown Draglinks
07-9618	2	HEIM JOINT SPACER (ZINC PLATE)
07-9849	2	MOLDED BEARING CAP, TI SERIES
07-9850	4	1" BEARING MOLDED FLANGE
07-9873	2	MOLDED BEARING CAP WITH HOLE
07-9888	2	COUNTERWEIGHT MOVEMENT ARM
07-9916	2	Pillow Block Bearing Cover
07-9941	4	COUNTERWEIGHT
08-2056	1	MOLDED SHAFT SPACER
08-5067	1	SLEEVE
09-1004	1	.500 ID X 3" CLOSED END
09-1023	2	HAND GRIP OPEN ENDS
09-2060	2	1 1/2 X 3 11 GA FRAME PLUG
09-2070	1	2 X 2 11 GA FRAME PLUG
09-3055	3	2 X 4 11 GA FRAME PLUG
09-3078	4	BLACK HOLE PLUG MP-1093
09-4004	2	MOLDED UPH. ROLLER END CAP
09-4077	2	BEARING 1 1/2 SQ X 3/4 ID
09-5030	2	FOOTPAD MOLDED BLACK
09-5046	4	Nitro Plus Footpad
09-8000	1	Belt Keeper
09-8018	2	GUIDE ROD BUSHING
09-8172	2	1 3/4 DIA HOLE PLUG
09-8329	1	WIDE PULLEY 3" DIA
09-8330	1	REDIRECTIONAL PULLEY 4"
09-9395	2	LatP MA Stop
09-9505	2	GRIP CAP 1.030 ID (FOR 1" BAR)
09-9535	2	GRIP RING 1.045 ID (FOR 1" BAR)
09-9555	2	GRIP RING 1.785 ID (FOR 1 3/4" BAR)
09-9590	2	TUBE INSERT .760 ID PN3043-4-1
10-1022	1	Extension Spring
10-1025	1	SPRING, TORSION
12-1001	1	SEAT INDICATOR BLACK
12-1026	3	DECAL, KEEP HANDS AWAY
12-1104	1	SEAT ADJUSTMENT DECAL 1-11
12-1146	1	SEAT ADJ DECAL 1
12-1194	1	THIGH PAD ADJUSTMENT DECAL
12-1380	1	DECAL PATENT MEDFIT MADE IN USA
12-5611	1	Nautilus Transfer Decal - Large BLACK
12-6046	1	Made In USA - Seat Frames
12-6051	1	PLACARD & SHIELD FRONT S9LATP
12-6074	1	PLACARD & SHIELD BACK S9IP, S9LATP, S9LR, S9QP, S9RF
12-6106	1	Decal, Parts Diagram EVO LATP
12-7050	1	EVO Weight Selector Pin Decal
17-1420	2	GUIDE ROD 55 1/2"
18-0013	1	MECTROL BELT 1" (88")
19-1013	4	TAPE DBL SIDED 2 3/4" WIDE
19-1291	1	SERIAL NO. DECAL
19-1342	4	ROUND CR 2" DIA 1018-1020
19-1575	2	BEARING - PILLOW BLOCK 1"
56-0217	2	Clamp Belt ONE
57-0611	1	Pocket, Peel & Stick, Cardio Schematic
91-999	1	Paint (1.5 lbs)
95-0476	1	Kit 7, EVO Shields
BF609B	1	LATP BACK FRAME
HB326	1	PSSD ROLLER PAD MOUNT
HB603	2	HANDLEBAR
LK631	1	BELT CLAMP
MA624	1	Nitro LatPulldown CAM
MA631	1	Lat Belt Attachment
MA653L	1	EVO Lat Pulldown Movement Arm LEFT
MA653R	1	EVO Lat Pulldown Movement Arm RIGHT
OPT-WT-25	1	EVO 240 LB Weight Stack
SE612	1	LAT PULL SEAT RELEASE HANDLE
UP8080	1	TAPERED SEAT PAD
UP9955	2	UPHOLSTERY ROLLER

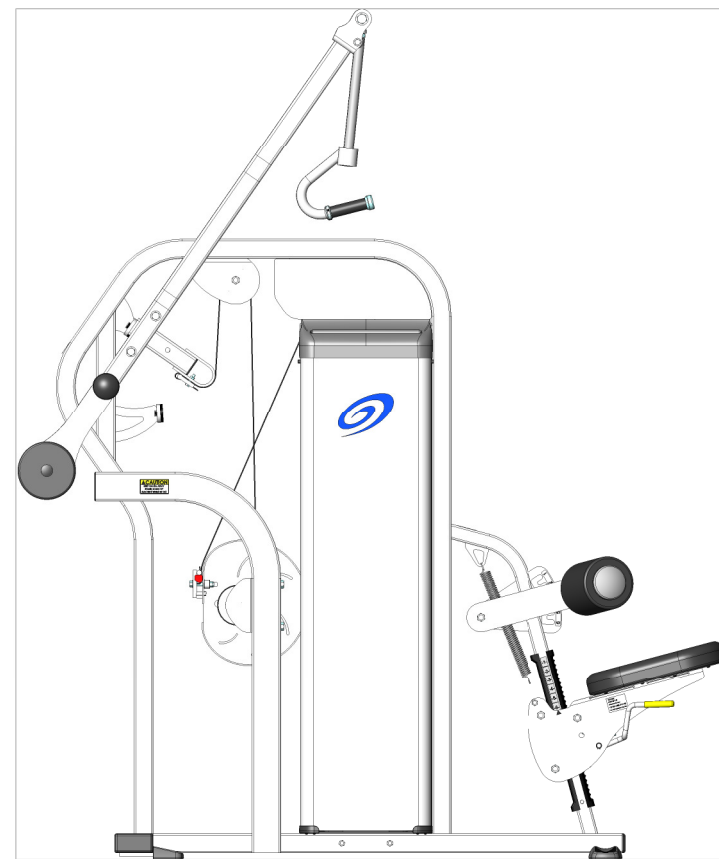
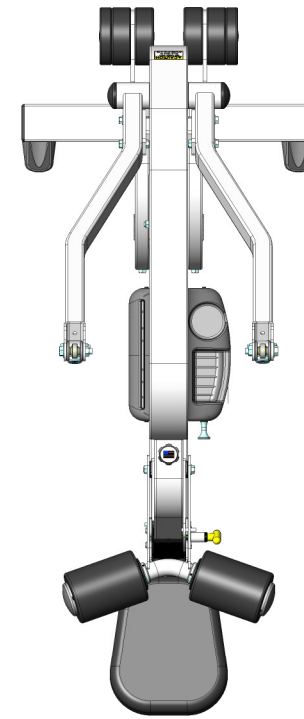


EVO Lat Pulldown S9LATP

Customer Service & Parts 800/ 235-2233
 General Parts Requests: parts@medfitsys.com
 Warranty Field Service Requests: servicerequest@medfitsys.com
 Med-Fit Systems, Inc. 800/ 831-7665

www.medfitsystems.com

Size	Grade 5	Grade 8
	Torque (ft-lbs)	Torque (ft-lbs)
1/4-20	8	12
1/4-28	10	14
5/16-18	17	25
3/8-16	30	45
7/16-14	50	70
1/2-13	75	110
1/2-20	90	120
5/8-11	150	220
5/8-18	180	240



[225cm]
89in



[188cm]
74in



[78cm]
31in

Customer Service & Parts 800/ 235-2233
General Parts Requests: parts@medfitsys.com
Warranty Field Service Requests: servicerequest@medfitsys.com
Med-Fit Systems, Inc. 800/ 831-7665

www.medfitsystems.com

S9LATP
REV Q